



Quick Reference Guide

V01



V02

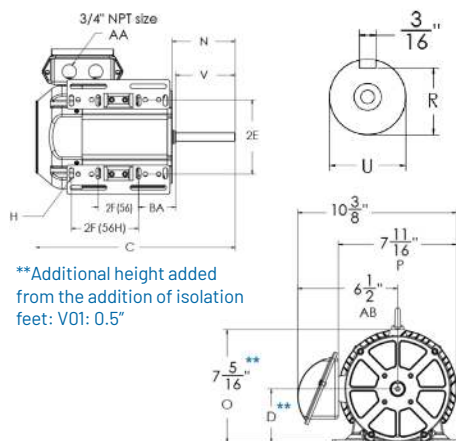


V03

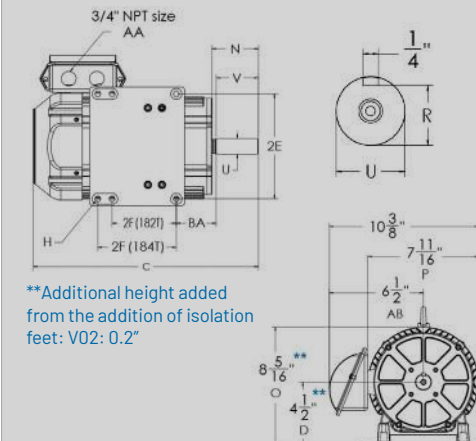


Controller	P04								P05				P05		
HP	1.0, 1.5, 2.0, 3.0								5.0				7.5, 10.0		
Volt	208 / 230 - 460								208 / 230 - 460				460		
RPM	100 - 3,600								100 - 3,600				100 - 3,600		
Power Cable	14 AWG								12 AWG				10 AWG		
Frame	56	56Y*	56H*	56HZ	143T	145T	182T	184T	143T	145T	182T	184T	213T	215T	
D**	3 1/2							4 1/2		3 1/2		4 1/2		5 1/4	
2E	4 7/8				5 1/2		7 1/2		5 1/2		7 1/2		8 1/2		
2F	3		5		4	5	4 1/2	5 1/2	4	5	4 1/2	5 1/2	5 1/2	7	
H	11/32								11/32				13/32		
BA	2 3/4				2 1/4		2 3/4		2 1/4		2 3/4		3 1/2		
U	5/8			7/8			1 1/8		7/8		1 1/8		1 3/8		
V	1 7/8	4 1/2	1 1/8	2 1/4			2 3/4		2 1/4		2 3/4		3 3/8		
C	12 1/4	14 5/8	12 1/4	12 5/8			12 7/8		15 1/2		15 3/4		17 7/16		
Weight (lbs)	54.0								72.0				151.0		

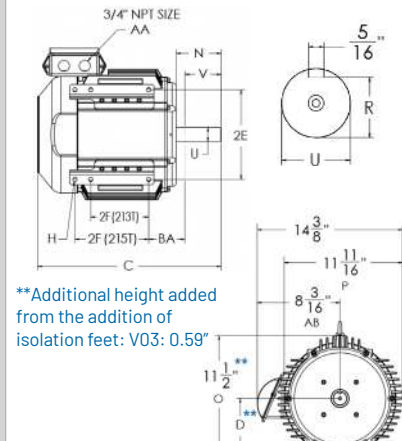
*56Y and 56H frame motors are not all the same. If the existing motor is one of these two frames, make sure the measures on the Turntide motor are the same as the existing motor.



**Additional height added from the addition of isolation feet: V01: 0.5"

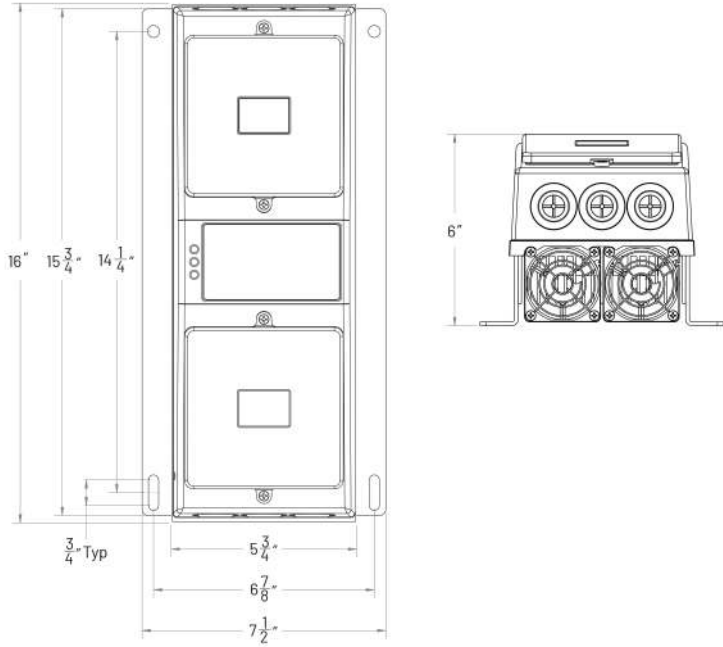


**Additional height added from the addition of isolation feet: V02: 0.2"

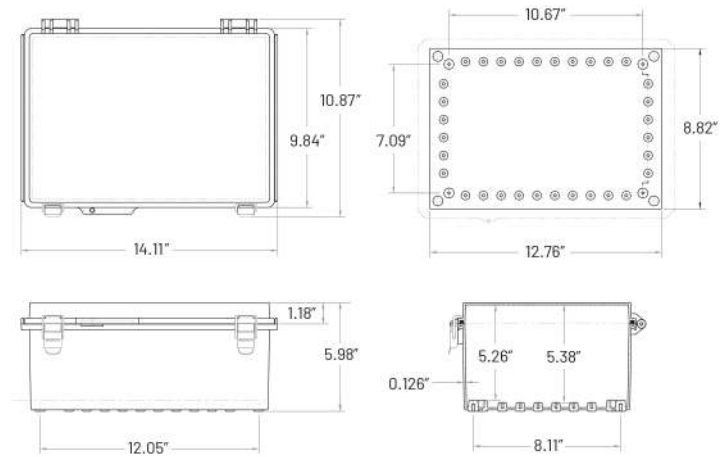


**Additional height added from the addition of isolation feet: V03: 0.59"

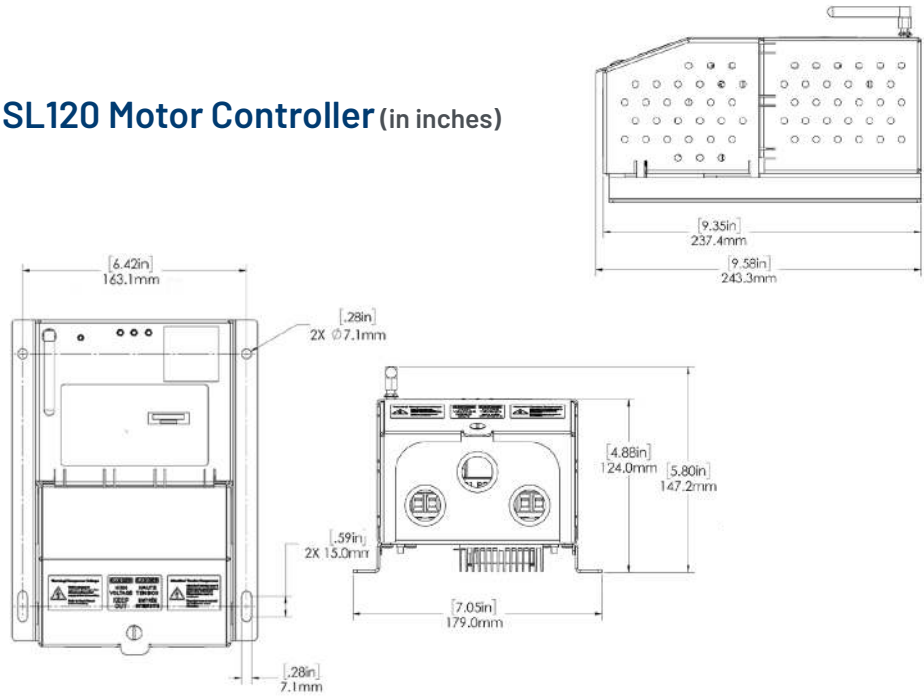
P05 Motor Controller (in inches)



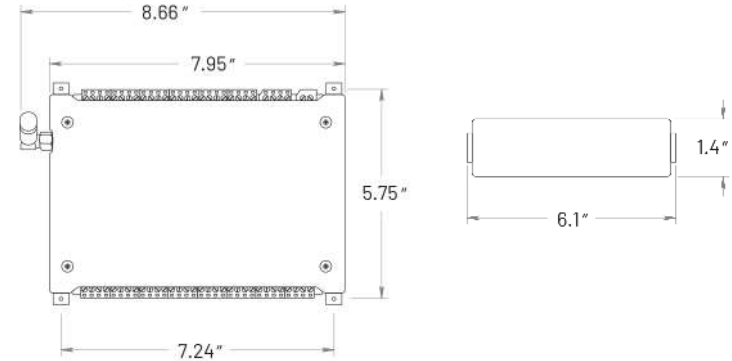
RMK Enclosure (in inches)



SL120 Motor Controller (in inches)



Turntide Supervisor (in inches)



Indemnity

This document is provided for informational purposes only, and the contents hereof are subject to change without notice. This document is not warranted to be error-free, nor subject to any other warranties or conditions, whether expressed orally or implied in law, including implied warranties and conditions of merchantability or fitness for a particular purpose. Turntide Technologies Inc. specifically disclaims any liability with respect to this document, and no contractual obligations are formed either directly or indirectly by this document. This document may not be reproduced or transmitted in any form or by any means, electronic or mechanical, for any purpose, without the prior written permission of Turntide Technologies Inc.

Turntide Smart Motor System Bundled SKU Nomenclature (OLD FORMAT)*

Sample Bundled SKU

V02 - 0500 - 2 - F 3 1 8 - 00

Motor Series

V01 - 1-3 HP
V02 - 5 HP
V03 - 7.5-15 HP

Horsepower

0300 = 1-3 HP 1
0500 = 5 HP
1000 = 7.5-10 HP
1500 = 15 HP
2000 = 20 HP

Voltage

2 = 208/230
4 = 460
6 = 575

Place Holder

00

Motor Controller

4 = P04W
8 = P05

Legacy Digit

1 = Variable Speed

Phase

3 = 3-Phase Power

NEMA Frame Compatibility

A = 56Y
C = 56/56H
D = 56Z/56HZ/143T/145T
F = 182T/184T
H = 213T/215T
K = 254T/256T
X = Placeholder

* See the "Quick Reference SKU Table" to confirm which Smart Motor Systems still use the OLD FORMAT SKU Structure

Turntide Smart Motor System Bundled SKU Nomenclature (NEW FORMAT)*

Sample Bundled SKU

V01 - 2 030 - 18 NC - S12 - RT

Motor Series

V01 - 1-3 HP
V02 - 5 HP
V03 - 7.5-15 HP

Configuration

00 = Base
RT = RTU Base

Voltage

2 = 208/230
4 = 460
6 = 575

Motor Controller

S12 = SL100 - IP20
S16 = SL160 - IP66

Horsepower

020 = 1-2 HP
030 = 3 HP
050 = 5 HP
100 = 7.5-10 HP
150 = 15 HP
200 = 20 HP

NEMA Frame Compatibility

NA = 56Y
NC = 56/56H
ND = 56Z/56HZ/143T/145T
NF = 182T/184T
NH = 213T/215T
NK = 254T/256T
NX = Placeholder

Nominal RPM

18 = 1800

* See the "Quick Reference SKU Table" to confirm which Smart Motor Systems use the NEW FORMAT SKU Structure

Quick Reference SKU Table - Smart Motor System

 = Smart Motor System SKUs highlighted in light blue follow the NEW FORMAT SKU structure

Confirm Availability = SKUs highlighted in red may not currently available for purchase, confirm with Turntide

Motor	Bundled SKUs	Motor System Characteristics					Parts Included in Bundle			
		Power Output (Hp)	Voltage AC/DC	Compatible Frame Sizes	Shaft Dia	Shaft Extension Length	Motor SKU	Controller SKU	RTU Install Kit	Supply/Return Air Temp Sensors
V01	V01-2030-18NA-S12-RT	1-3	208/230	56Y	5/8" Long	4.5"	V01-0300-2-A00	SL120-2030A-RT	KIT-RTU-001	KIT-INST-003
	V01-2030-18NC-S12-RT	1-3		56/56H	5/8" standard	1.875"	V01-0300-2-C00	SL120-2030A-RT	KIT-RTU-001	KIT-INST-003
	V01-2030-18ND-S12-RT	1-3		56Z/56HZ/143T/145T	7/8"	2.25"	V01-0300-2-D00	SL120-2030A-RT	KIT-RTU-001	KIT-INST-003
	V01-2030-18NF-S12-RT	1-3		182T/184T	1.125"	2.75"	V01-0300-2-F00	SL120-2030A-RT	KIT-RTU-001	KIT-INST-003
	V01-4030-18NA-S12-RT	1-3	460	56Y	5/8" Long	4.5"	V01-0300-4-A00	SL120-4030A-RT	KIT-RTU-001	KIT-INST-003
	V01-4030-18NC-S12-RT	1-3		56/56H	5/8" standard	1.875"	V01-0300-4-C00	SL120-4030A-RT	KIT-RTU-001	KIT-INST-003
	V01-4030-18ND-S12-RT	1-3		56Z/56HZ/143T/145T	7/8"	2.25"	V01-0300-4-D00	SL120-4030A-RT	KIT-RTU-001	KIT-INST-003
	V01-4030-18NF-S12-RT	1-3		182T/184T	1.125"	2.75"	V01-0300-4-F00	SL120-4030A-RT	KIT-RTU-001	KIT-INST-003
	V01-0300-6-A318-01	1-3	575	56Y	5/8" Long	4.5"	V01-0300-6-A00	P05LC-0300-00		
	V01-0300-6-C318-01	1-3		56/56H	5/8" standard	1.875"	V01-0300-6-C00	P05LC-0300-00		
	V01-0300-6-D318-01	1-3		56Z/56HZ/143T/145T	7/8"	2.25"	V01-0300-6-D00	P05LC-0300-00		
	V01-0300-6-F318-01	1-3		182T/184T	1.125"	2.75"	V01-0300-6-F00	P05LC-0300-00		
V02	V02-0500-2-D318-00	5	208/230	56Z/56HZ/143T/145T	7/8"	2.25"	V02-0500-2-D00	P05-1000-00		
	V02-0500-2-F318-00	5		182T/184T	1.125"	2.75"	V02-0500-2-F00	P05-1000-00		
	V02-0500-4-D318-00	5	460	56Z/56HZ/143T/145T	7/8"	2.25"	V02-0500-4-D00	P05-1000-00		
	V02-0500-4-F318-00	5		182T/184T	1.125"	2.75"	V02-0500-4-F00	P05-1000-00		
	V02-0500-6-D318-00	5	575	56Z/56HZ/143T/145T	7/8"	2.25"	V02-0500-6-D00	P05HC-1000-00		
V02-0500-6-F318-00	5		182T/184T	1.125"	2.75"	V02-0500-6-F00	P05HC-1000-00			
V03	V03-1000-4-H318-00	7.5 - 10	460	213T/215T	1.375"	3.375"	V03-1000-4-H00	P05-1000-00		
	V03-1500-4-H318-03	15		213T/215T	1.375"	3.375"	V03-1500-4-H00	P05H-1500-00		
	V03-1000-6-H318-02	7.5 - 10	575	213T/215T	1.375"	3.375"	V03-1000-6-H00	P05HC-1000-00		
	V03-1500-6-H318-02	15		213T/215T	1.375"	3.375"	V03-1500-6-H00	P05HC-1500-00		

Motor System Accessory SKUs	
Part SKU	Description
RMK-001	Supervisor Kit: NEMA Enclosure, Turntide Supervisor
RMK-002	Cloud Monitoring Kit USA: NEMA Enclosure, Turntide Supervisor, Data Modem, 12-months of data service
RMK-003	Cloud Energy Monitoring Kit (RMK002 + EMK001): NEMA Enclosure, Turntide Supervisor, Data Modem, 12-months of data service, power meter
RMK-004	Local Energy Monitoring Kit (RMK001 + EMK001): NEMA Enclosure, Turntide Supervisor, 3-Phase Wattnodes & CT's (Multivoltage)
EMK-001	Energy Monitoring Kit: 3-Phase Wattnodes & CT's (Multivoltage)
RMK-002-CA	Cloud Monitoring Kit CA: NEMA Enclosure, Turntide Supervisor, Canada Data Modem, 12-months of data service
RMK-003-CA	Cloud Energy Monitoring Kit CA (RMK002-CA + EMK001): NEMA Enclosure, Turntide Supervisor, Data Modem, 12-months data service, power meter
SUB-CELL-US	1 Year Connected Motor Cell Subscription (US Verizon)
SUB-CELL-CA	1 Year Connected Motor Cell Subscription (Canada Telus)
SNSR-CO2D-001	Duct Mount CO2 Sensor
KIT-INST-001	VFM Base Sensor Kit (Outside air/duct/bullet temp sensors, current sensor)
KIT-INST-002	VFM 2nd Stage Add on Sensor Kit
KIT-RTU-002	RTU Install Kit + Supply, Return Air Temp Sensors (KIT-RTU-001 + KIT-INST-003)
CBL-MH-004	Modbus Harness
WAR-EXT-001	1-year Extended Warranty
KIT-ISLN-FT-101	Motor V01 with isolation feet
KIT-ISLN-FT-201	Motor V02 with isolation feet
KIT-ISLN-FT-301	Motor V03 with isolation feet

TURNTIDE TECHNOLOGY FOR SUSTAINABLE OPERATIONS

Our breakthrough technologies accelerate electrification and sustainable operations for energy-intensive industries.

Turntide Technologies
 1295 Forgewood Avenue, Sunnyvale, CA 94089
turntide.com | sales@turntide.com

